

STC2-AL Series

Smart Touch Computers



Features

- Quad-core Intel Atom® x7-E3950 Processor
- 10.1"/15.6" 16:9 LCD panel with LED backlight with 50,000 service life
- With up to 1920 x 1080 resolution
- 10-point PCAP touchscreen
- IP rating for water and dust protection
- Robustness with wide 9-36 DC input and optional -10°C to 50°C support
- Ease of installation with optional VESA mount
- SEMA support and custom I/O and function expansion

Software Support

- Windows® 10, IoT Enterprise

Optional Accessories

- Adapter
12V 60W power adapter (PN:31-62156-1010-A0)
- Wi-Fi Kit
IEEE 802.11 a/b/g/n/ac
- 4G/LTE Kits
For USA/EU/AP markets

Ordering Information

- STC2-10WP-E3950 (PN:93-P2100-2A10)
10.1" Smart Touch Computer, PCAP, 4GB RAM, 64GB M.2 SSD
- STC2-15WP-E3950 (PN:93-P2100-6A10)
15.6" Smart Touch Computer, PCAP, 4GB RAM, 64GB M.2 SSD

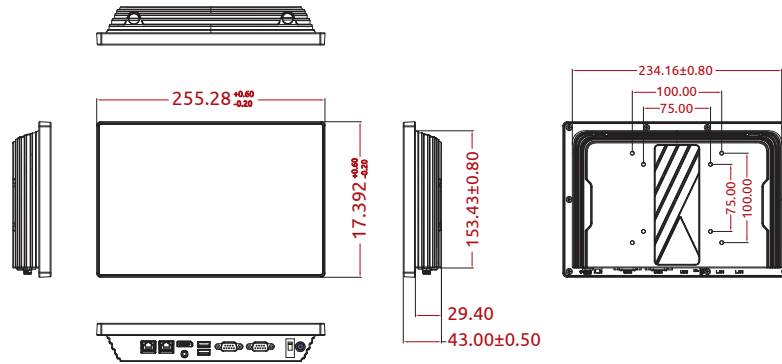
Specifications



Model	STC2-10WP-AL	STC2-15WP-AL
System		
Processor	Intel Atom® x7-E3950 Processor	
Memory	4GB DDR3L default (up to 8GB)	
Storage	64GB SSD default (up to 1TB)	
Display		
Size	10.1"	15.6"
Resolution	1280x 800	1920 x 1080
Aspect Ratio	16:9	
Brightness	400 nits (w/i touch)	
Backlight Life (Hrs)	50,000	
Viewing Angle (U/D/R/L)	89/89/89/89	
Contrast Ratio	800:1	1000:1
Touchscreen	10-point, PCAP, Anti-fingerprint coating	
I/O		
Ethernet	2x GbE LAN, RJ45	
Serial Port	2x COM ports, RS-232/422/485	
USB Port	1x USB 2.0, Type A 1x USB 3.0, Type A	
Expansion	1x Mini PCIe card with PCIe and USB interface	
Wi-Fi and Bluetooth	802.11 a/b/g/n/ac and Bluetooth 4.0 (Optional with Mini PCIe card)	
4G/LTE	For USA/Europe/TW/NZ/AU regions (Optional)	
Video	1x DP Port	
Audio	1x audio port (line out)	
Environmental		
Operating Temperature	-10°C to 50°C (SSD)	
Storage Temperature	-20°C to 60°C	
Humidity	10% to 80% @ 40°C (non-condensing)	
Vibration	Operating: 1G random 5 to 500Hz	
Shock	Operating: 20G/11ms	
IP Rating	Front IP65	
Certifications & Compliance	CE/FCC	
Power Input	9-36V DC input	
Power Consumption	29.4W	39.8W
Software		
WDT	Watch Dog Timer supported	
Operating System	Windows® 10 IoT Enterprise	
Weight (Net /Gross)	1.9 kg /2.5 kg	3.16 kg /4.2 kg
Dimensions (H x W x D) (mm)	256x174x44	390x239x47
Mounting	VESA Mount, MIS-D 75mm x 75mm, 100mm x 100mm	

Mechanical Overview

STC2-10WP-AL



STC2-15WP-AL

