

# VPX3010 Series

## Rugged 3U VPX Intel® Xeon® Processor D-1500 Processor Blade

### Features

- Intel® Xeon® Processor D-1500 SoC up to 12 cores (formerly “Broadwell-DE”)
- DDR4-2133 soldered ECC SDRAM up to 32GB
- Dual 10G-KR, up to three 1G Ethernet ports
- Up to PCIe x16 Gen3 interface supporting non-transparent bridge
- One XMC expansion slot, PCIe x8 Gen3 with Rear I/O to P2



### Specifications

#### Processor & System

##### CPU

Intel® Xeon® D-1559 12-core, 45W TDP  
 Intel® Xeon® D-1539 8-core, 35W TDP  
 Intel® Pentium® D1519 4-core, 25W TDP

##### RAM

Dual channel DDR4-2133 ECC soldered SDRAM, up to 32GB

##### BIOS

AMI EFI on 64Mbit SPI flash

##### VITA Specifications

VITA 46.0 VPX Base Standard  
 VITA 46.4 PCI Express on VPX Fabric Connector  
 VITA 46.6 Gigabit Ethernet Control Plane on VPX  
 VITA 46.9 PMC/XMC/Ethernet Signal Mapping to 3U/6U VPX  
 VITA 46.10 Rear Transition Module on VPX  
 VITA 46.11 System Management on VPX  
 VITA 48.0 Ruggedized Enhanced Design Implementation Mechanical Base Specification  
 VITA 65 OpenVPX Architecture Framework for VPX

##### Module Profile

MOD3-PAY-2F2T-16.2.5-3

##### Slot Profile

SLT3-PAY-2F2T-14.2.5

#### Connectivity

##### XMC

PCIe x8 Gen3 with Rear IO to P2 X8d+X12d

##### Ethernet

Dual 10G-KR to P2  
 Two 1000BASE-T to P1 (or one 1000BASE-T and two 1000BASE-BX by BOM option)

##### Graphics

SMI750 on PCIe x1  
 One VGA to P2

##### USB

One USB 3.0 to P1 and one to P2  
 One USB 2.0 to P1

##### Serial Port

One RS-232 to P1  
 One RS-232/422 to P1

##### PCI Express

PCIe x8 Gen3, configurable to 1 x8 or 2 x4 to P1, supports DMA and non-transparent bridge for peer-to-peer communication  
 PCIe x8 Gen3 to P2 (combined with PCIe x8 Gen3 to P1 for PCIe x16 Gen3, no XMC BOM option)  
 PCIe x1 Gen3 to P1 (no XMC BOM option)

#### Storage

##### SBC

Soldered SLC NAND flash up to 64GB SATA 6Gb/s

##### RTM

One SATA 6Gb/s to P1  
 One SATA 6Gb/s to P2 (no XMC BOM option)

## Specifications

- **Security Mechanism**

**TPM**

Atmel TPM version 1,2

**IPMC**

Smart Fusion A2F200 with VPX code base

**BIOS**

Dual BIOS mechanism

- **Operating System**

**OS**

Red Hat Enterprise Linux 6.5

Wind River VxWorks 7.0

Microsoft Windows 7 32/64-bit

Microsoft Windows 7 Embedded (Please contact ADLINK for other OS support)

- **Miscellaneous**

**LEDs**

Blade status LEDs on front and rear

**Watchdog Timer**

System reset or NMI with programmable interval

**GPIO**

Eight 5V tolerance GPIO to P1 and P2

**Reset Button**

Reset button on front panel

- **Miscellaneous**

**Form Factor**

Conduction cooled: 3U VPX 0.8 in.

Air cooled: 3U VPX 0.85 and 1 in.

**Operating Temp.**

Conduction cooled version: -40°C to +75°C at wedge locks (+85°C optional)

Air cooled version: -40°C to +75°C

**Storage Temp.**

-50°C to +100°C

**Relative Humidity**

95% non-condensing

**Altitude**

60,000 feet, operating

**Power Consumption**

52.84 W

**Weight**

Conduction cooled: 535.25g

Air cooled: 491.15g

**Thermal Dissipation**

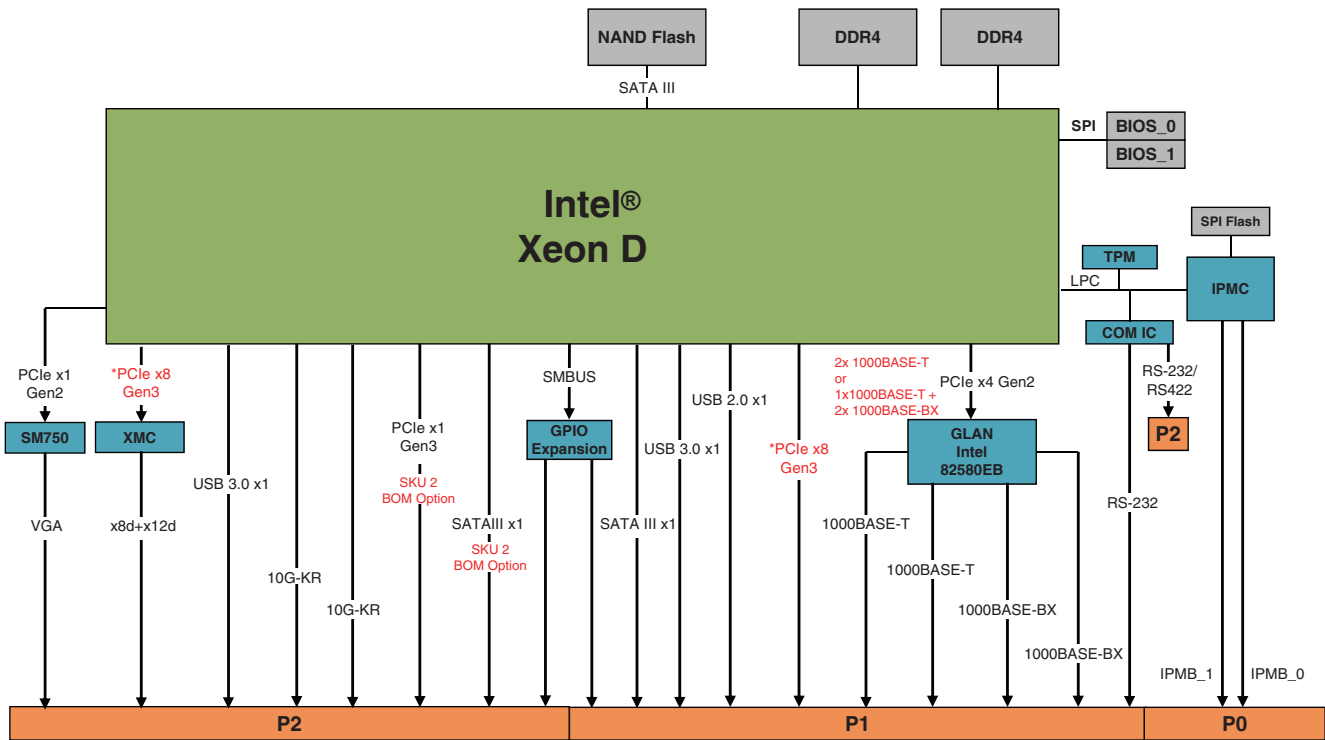
Convection and conduction

- **Safety & EMI**

**Certifications**

CE, FCC Class A

## VPX3010 Block Diagram



- \* Combined with PCIe x8 Gen3 to P1 and PCIe x8 to PCIe x16 Gen3, No XMC BOM option
- \* The data transfer rate will be limited by device specification

## 3U VPX Test Frame

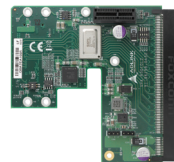
Product Type	9-slot Test Frame
Form Factor	VPX 3U
Dimensions	142.6mm (H) x 209.9mm (W) x 276.28mm (D)
Blade Support	Conduction cooled VPX 3U blades
Backplane Support	3-slot
RTM Support	Yes
Cooling	Passive fins
Power	User define



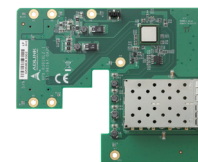
3U VPX Test Frame



VPX-R3010



VPX-R3010L2



VPX-R3010L2-1

# VPX3010 Series

---

## Ordering Information

### Processor Blades

- **VPX3010/1559/M16/S32/XMC-R1**  
3U VPX processor board with Intel® Xeon® D-1559, DDR4 16GB, SLC 32GB, dual 10G-KR, dual GbE Base-T, VGA, 2x USB 3.0, XMC slot with coating & ETT -40°C to +75°C, conduction cooled
- **VPX3010/1559/M16/S32/P16-R1**  
3U VPX processor board with Intel® Xeon® D-1559, DDR4 16GB, SLC 32GB, PCIe x16, dual 10G-KR, 1GbE Base-T and GbE Base-BX, VGA, 2x USB 3.0, with coating & ETT -40°C to +75°C, conduction cooled
- **VPX3010/1539/M16/S32/P16-R1**  
3U VPX Processor Board with Intel® Xeon® D-1539, DDR4 16GB, 32GB, PCIe x16, dual 10G-KR, 1GbE Base-T and GbE Base-BX, VGA, 2x USB 3.0, with coating & ETT -40°C to +75°C, conduction cooled
- **VPX3010/1559/M32/S64/XMC-R1**  
3U VPX processor board with Intel® Xeon® D-1559, DDR4 32GB, SLC 64GB, dual 10G-KR, dual GbE Base-T, VGA, 2x USB 3.0, XMC slot with coating & ETT -40°C to +75°C, conduction cooled

### Rear Transition Modules

- **VPX-R3010**  
RTM for VPX3010 with GbE, SATA, USB 3.0/2.0, RS-232, GPIO, XMC, 0.8" front panel
- **VPX-R3010L2**  
RTM for VPX-R3010 with PCIe x16 slot, PCIe x1 slot
- **VPX-R3010L2-1**  
RTM for VPX-R3010 with 10G SFP+ connector

### Accessories

- **VPX-TF3090**  
3U VPX conduction cooled test frame with tBP-VPX3000